

パイオラックス 親水性ガイドワイヤー Z
PIOLAX Hydrophilic Guidewire Z

RAINBOW Z
レインボー

エチレンオキサイドガス滅菌済み

販売名:パイオラックス親水性ガイドワイヤー Z
特定保険医療材料算定可
医療用具承認番号 21600BZZ00537000



オリジナルテクノロジーで超選択性を実現しました。

PIOLAX

株式会社 パイオラックス メディカル デバイス
PIOLAX MEDICAL DEVICES, INC.

RAINBOW Z PIOLAX Hydrophilic Guide wire Z

Features

● Torque Transmission

Stainless shaft with wire transmits high torque to the tip.

● Tip shapability

Flatted tip at the distal of stainless core wire shows superior tip shapability.

● Hydrophilic coating

Original hydrophilic coating on the surface adds superior lubricity to the guide wire in wet condition by blood or saline.

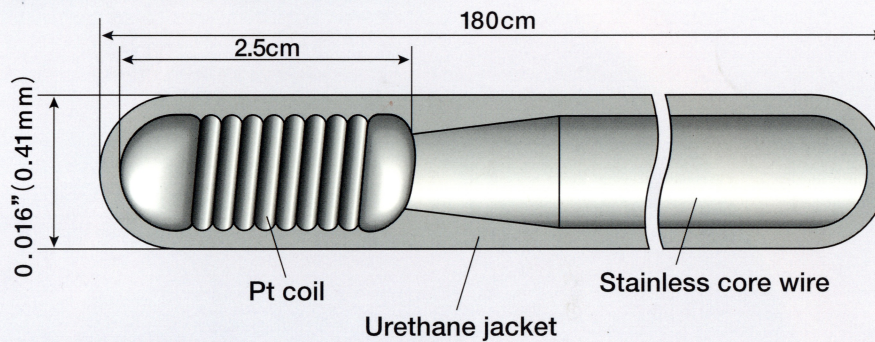
● Visibility

2.5cm Pt coil at the distal tip can give the guide wire excellent visibility.

● Products variation

Much selections for difficult cases.

Structure



Products

Catalogue No.	O.D.	Length	Tip shape	Length of taper	Shapability
GTSS-1616PK	0.016" (0.41mm)	160cm	straight	35cm	yes
GTSS-16135PK		135cm	straight		

Others GTSS-1620ZK GTSS-1630ZK
 GTFS-1616ZK GTFA-1616ZK GTFS-1618ZK GTFA-1618ZK
 GTHS-1610ZK GTHS-1618ZK GTHA-1618ZK GTHS-1626ZK

[Accessories] inserter 1pc. shaper 1pc. torque device 1pc.

■ Indication for use

- Please read the instruction for use.
- The products are all disposable. Please do not reuse or reesterilized.

PIOLAX Manufacturer : Piolax Medical Devices, Inc.

179 Kariba-cho Hodogaya-ku Yokohama, 240-0025, Japan
 TEL.+81-45-710-1570 FAX.+81-45-710-1584